

# PINZA AMPEROMETRICA MN95

## Current clamp MN95

*Pinza amperometrica per correnti AC da 0.01A a 5.0A caratterizzata da dimensioni ridotte e un'elevata precisione.*

*Amperometric mini-clamp for AC currents from 0.01A to 5.0A with with reduced dimensions and high precision.*



La pinza amperometrica MN95 è utilizzabile su tutti gli analizzatori della famiglia **NanoVIP®** per la misura delle correnti alternate fino a 5 A; è dotata di un sistema di **riconoscimento automatico** da parte dell'analizzatore che rende molto semplice il suo settaggio.

Le dimensioni particolarmente compatte ne fanno uno strumento altamente ergonomico, facilmente collocabile e con una minima occupazione di spazio.

**EN** The MN95 current clamp can be used on all analyzers of the **NanoVIP®** family to measure AC currents up to 5 A; it is equipped with an **automatic recognition system** by the analyzer that makes its setting very simple. The particularly **compact dimensions** make it a highly ergonomic tool, easy to place and with minimal space requirements.

### COMPATTA, RESISTENTE E PRECISA

- ✓ Utilizzabile su analizzatori della famiglia NanoVIP® senza necessità di alimentazione o amplificazione esterna.
- ✓ Altissima precisione nelle misura
- ✓ Dotata di sistema di riconoscimento automatico se utilizzata sui più recenti analizzatori della serie NanoVIP®: TWO™, CUBE™ e QUADRA™
- ✓ Progettato per la misura di correnti alternate in un ampio range di valori: da 0.01A a 5A
- ✓ Compatta e leggera
- ✓ La forma delle pinze rende facile l'aggancio sui cavi, anche nelle zone più ridotte.
- ✓ Le pinze possono afferrare conduttori fino a 20 mm di diametro.
- ✓ La precisione che offre su tutto il campo di misura le consente un utilizzo molto ampio (dal civile all'industriale)
- ✓ La conformazione ne permette un uso sicuro anche indossando i guanti di sicurezza
- ✓ Dispone opzionalmente di adattatori per l'utilizzo con analizzatori Elcontrol di vecchia generazione, cioè privi di riconoscimento automatico delle pinze

### COMPACT, STRONG AND PRECISE

- ✓ Can be used on NanoVIP® family analyzers without the need for external power supply or amplification.
- ✓ Very high precision
- ✓ Equipped with automatic recognition system if used on the latest NanoVIP® series analyzers: TWO™, CUBE™ and QUADRA™
- ✓ Designed for the measurement of alternating currents in a wide range of values: from 0.01A to 5A
- ✓ Compact and light
- ✓ The shape of the pliers makes it easy to hook onto the cables, even in the smallest areas.
- ✓ The grippers can grip conductors up to 20 mm in diameter.
- ✓ The precision that it offers on the whole measuring range allows it a very wide use (from civil to industrial)
- ✓ The shape allows a safe use even when wearing safety gloves
- ✓ Optionally adapters are available to use it on older generation of Elcontrol analyzers, without automatic clamp recognition

# PINZA AMPEROMETRICA MN95

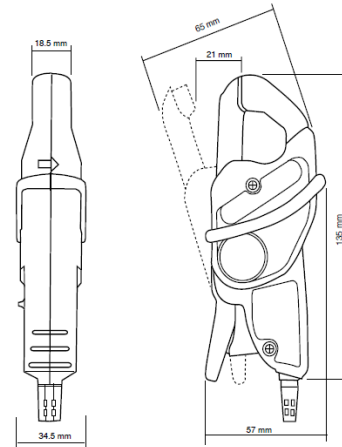
## Current clamp MN95

### ELECTRICAL SPECIFICATIONS<sup>(1)</sup>:

Measured range	0,01 A up to 6 A			
Operating voltage	600V rms			
Output signal	200 mV AC / A AC (1,2 V for 6A)			
Accuracy and Phase shift	<b>Primary current</b>	<b>0.01A...0.1A</b>	<b>0.1A...1A</b>	<b>1A...6A</b>
	Accuracy in % of output signal	≤ 2%	0.5%	≤ 0,5%
	Phase shift	Not specified	≤ 1.3°	0.7°
Bandwidth	40 Hz ...10 kHz			
Crest factor	3 for a current of 6A rms			
Maximum currents	6 A continuous for a frequency ≤ 10 kHz (derating proportional to the inverse of frequency beyond)			
Common mode voltage	600 V category III and pollution degree 2			
Influence of adjacent conductor:	≤ 15mA / A at 50 Hz			
Influence of conductor position in jaws:	≤ 0.5 % of output signal at 50 / 60 Hz			
Influence of DC current >20A overlying on the nominal current:	≤ 3%			
Influence of frequency <sup>(2)</sup> :	< 5% from 20 to 1kHz			
	< 10% from 1kHz to 10 kHz			
Influence of crest factor:	< 3% of output signal for a crest factor < 5 with current < 6A rms			
<sup>(1)</sup> Conditions of reference	23 °C ± 5 °K, 20% to 75% RH Continuous external DC magnetic field (earth field) < 40 A/m Absence of external AC magnetic field External electrical field < 1 V/m Position of conductor measured: centred in the measurement coil Shape of measurement coil: quasi-circular Measurement instrument input impedance (oscilloscope) ≥ 1 MΩ Frequency and form of signal measured: 40 to 400 Hz sinusoidal			
<sup>(2)</sup>	Out of reference domain			

### MECHANICAL SPECIFICATIONS:

Dimensions	135x51x30 mm
Weight	180g
Operating temperature	-10 °C to +55 °C
Storage temperature	-40 °C to +70 °C
Influence of temperature:	≤ 15% of output signal per 10 °K
Relative humidity for operation:	0 to 85% RH decreasing linearly above 35 °C
Influence of relative humidity:	< 0.2 % of output signal from 10% to 85% RH
Operating altitude	0 to 2000 m (for 600V CAT III)
Storage altitude	≤ 12000m
Clamping capacity:	Cable: Ø max 20 mm
	Busbar: 1 busbar of 20 x 5 mm
Drop test:	1 m (IEC 68-2-32)
Shock resistance:	100 g 6 ms ½ period (IEC 68-2-27)
Vibration resistance:	10/55/10 Hz, 0.15mm (IEC 68-2-6)
Casing protection rating	IP40 (IEC 529)
Self-extinguishing capability	Casing: UL94 V2 Jaws: UL94 V0



### SAFETY

Electrical safety	Class II equipment with double or reinforced insulation between the primary and the secondary (winding connected to the connection cable) as per EN 61010-1 & EN 61010-2-032:
	- 1000V CAT III, pollution degree 2
	- 600V ACT III, pollution degree 2
	- Type-B sensor